



24-Port 10/100Mbps Web Smart Switch with 4 Gigabit Ports and 2 Mini-GBIC Slots

TEG-424WS [V1.0R]

The 24-Port 10/100Mbps Web Smart Switch with 4 Gigabit Ports and 2 Mini-GBIC Slots (model TEG-424WS) delivers a 12.8Gbps switching capacity with managed layer 2 features at a reduced cost. Support for SNMP v1, 802.1X, STP, 802.1Q VLAN, QoS, IGMP snooping, Broadcast Storm Control and port Trunking provides a cost effective, scalable and secure backbone switch solution for SMB networks.

SNMP support enables the switch to provide valuable status and event information, saving system administrators time and resources. Connect a fiber network to the shared Mini-GBIC slots and network servers and switches using the Gigabit RJ-45 ports. Access the Web-browser management interface and segment up to 256 Virtual Local Area Networks, manage network priority with 802.1p support and dedicate bandwidth with port-based Trunking.

FEATURES

- 24 x 10/100Mbps Auto-MDIX Fast Ethernet ports
- 4 x 10/100/1000Mbps Auto-MDIX Gigabit ports
- 2 x 1000Base Mini-GBIC slots (shared with Gigabit ports 25-26)
- 12.8Gbps switching capacity
- Store-and-forward switching architecture with non-blocking wire-speed performance
- IEEE 802.3x Full Duplex Flow Control and Back Pressure
- IEEE 802.3ad Port Trunk
- IEEE 802.1D Spanning Tree Protocol
- IEEE 802.1p QoS
- IEEE 802.1X Authentication and SNMP v1 support
- Supports port based IEEE 802.1Q VLAN Tag and Asymmetric VLAN
- Integrated address look-up engine with an 8K absolute MAC addresses
- Supports 128Kbytes data buffering RAM
- Easy configuration via Web browser
- Duplex mode and adjustable port speed settings
- Standard 19" (1U) rackmount design (rackmount kit included)
- 5-Year Limited Warranty

24-Port 10/100Mbps Web Smart Switch with 4 Gigabit Ports and 2 Mini-GBIC Slots

TEG-424WS [V1.0R]

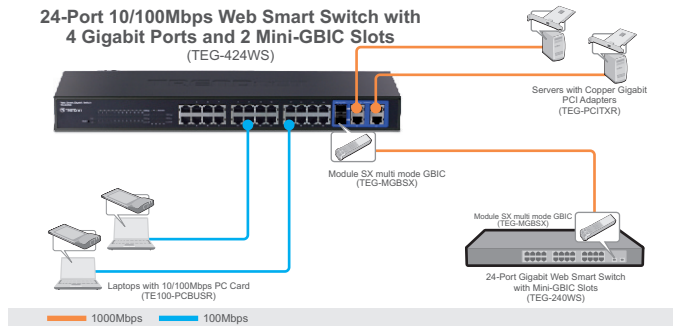
SPECIFICATIONS

Hardware	
Standard	<ul style="list-style-type: none">• IEEE 802.3 10Base-T • IEEE 802.3u 100Base-TX • IEEE 802.3ab 1000Base-T • IEEE 802.3z 1000Base-SX/LX (Mini-GBIC)• IEEE 802.3x Flow Control and Back Pressure • IEEE 802.3ad Port Trunk • IEEE 802.1D Spanning Tree Protocol• IEEE 802.1p QoS • IEEE 802.1Q VLAN Tag • IEEE 802.1X Authentication • SNMP v1
Network Media	<ul style="list-style-type: none">• Ethernet: UTP/STP Cat. 3, 4, 5 up to 100m • Fast Ethernet: UTP/STP Cat. 5, 5e up to 100m• Gigabit: UTP/STP Cat. 5, 5e, 6 up to 100m Mini-GBIC: LC type fiber optic
Protocol /Topology	<ul style="list-style-type: none">• CSMA/CD, Star
Interface	<ul style="list-style-type: none">• 24 x 10/100Mbps Auto-MDIX Fast Ethernet ports • 4 x 10/100/1000Mbps Auto-MDIX Gigabit ports• 2 x 1000Base Mini-GBIC slots (shared with Gigabit port 25-26)
Data Transfer Rate	<ul style="list-style-type: none">• Ethernet: 10Mbps/20Mbps (Half/Full-Duplex) • Fast Ethernet: 100Mbps/200Mbps (Half/Full-Duplex)• Gigabit Ethernet: 2000Mbps (Full-Duplex)
Address Table	<ul style="list-style-type: none">• 8K Entries
Switch Fabric	<ul style="list-style-type: none">• 12.8 Gbps forwarding capacity
Data RAM Buffer	<ul style="list-style-type: none">• 128KBytes
Trunking	<ul style="list-style-type: none">• Max 6 groups per device, 8 ports per group
Diagnostic LEDs	<ul style="list-style-type: none">• Per Unit: Power, System • Per Fast Ethernet port: Link/ACT, 100M • Per Copper Gigabit port: Link/ACT, 1000M, 100M• Per Mini-GBIC slot: Link/ACT, Link/ACT, 1000M
Power Supply	<ul style="list-style-type: none">• 100-240V AC, 50/60Hz internal power supply
Power Consumption	<ul style="list-style-type: none">• 19 watts (max)
Dimension	<ul style="list-style-type: none">• 440 x 140 x 44mm (17.32 x 5.5 x 1.73in.)
Weight	<ul style="list-style-type: none">• 2.1kg (4.7lbs)
Temperature	<ul style="list-style-type: none">• Operating: 0°C ~ 40°C (32°F ~ 104°F); storage: -10°C to 70°C (14°F to 158°F)
Humidity	<ul style="list-style-type: none">• Operating: 10 % ~ 90 % RH (non-condensing); storage: 5 % ~ 90 % RH (non-condensing)
Certifications	<ul style="list-style-type: none">• CE, FCC

24-Port 10/100Mbps Web Smart Switch with 4 Gigabit Ports and 2 Mini-GBIC Slots

TEG-424WS [V1.0R]

NETWORKING SOLUTIONS



PACKAGE CONTENTS

- TEG-424WS
- Multi-Language Quick Installation Guide
- CD-ROM (Utility & User's Guide)
- Power Cord
- Rackmount Kit

RELATED PRODUCTS

TEG-PCBUSR	Gigabit PC Card
TEG-PCITXR	Gigabit PCI Adapter
TEG-MGBSX	Mini-GBIC Multi-Mode SX Module

ORDERING INFORMATION

TRENDnet[®]

20675 Manhattan Place, Torrance, CA 90501 USA

Tel: 1-310-961-5500

Fax: 1-310-961-5511

Web: www.trendnet.com

Email: sales@trendnet.com

To Order Please Call:

1-888-326-6061

