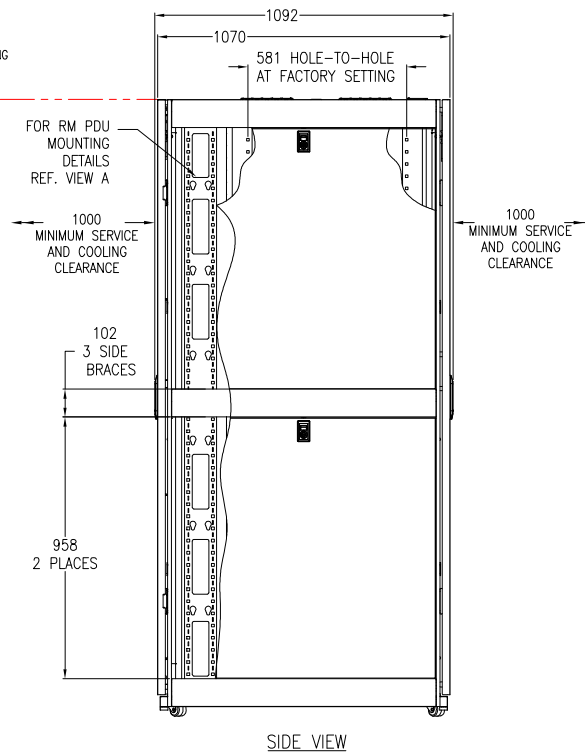
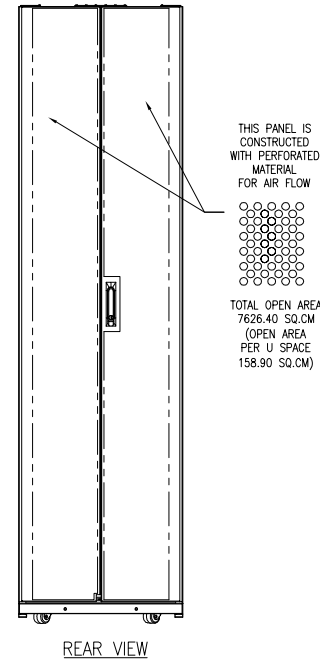


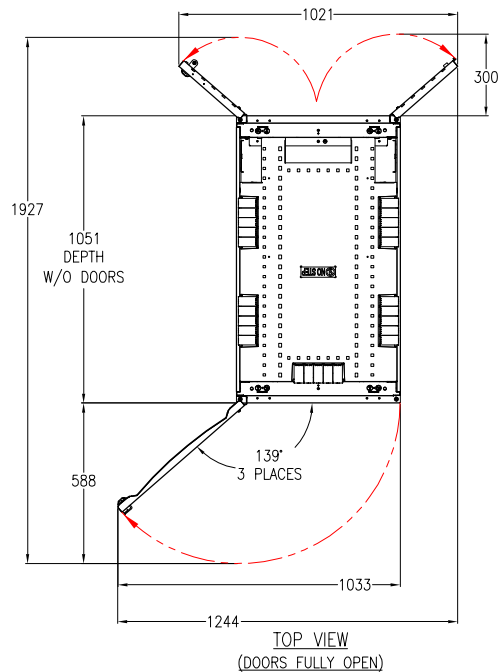
FRONT VIEW



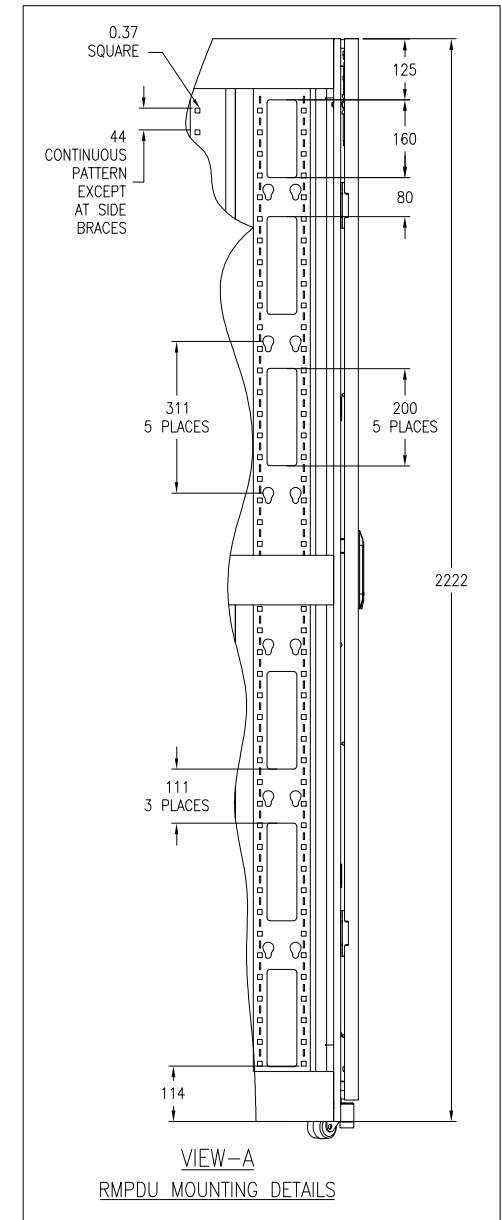
SIDE VIEW



REAR VIEW



TOP VIEW
(DOORS FULLY OPEN)



VIEW-A
RMPDU MOUNTING DETAILS

NOTES:

1. ALL DIMENSIONS ARE IN MILLIMETERS.
2. CABLE ENTRY IS TOP OR BOTTOM OF UNIT.
3. FRONT AND REAR SERVICE ACCESS.
4. NET WEIGHT OF UNIT IS 137.9 Kg.
5. INSTALLATION MUST COMPLY WITH NATIONAL AND LOCAL ELECTRICAL REGULATIONS.

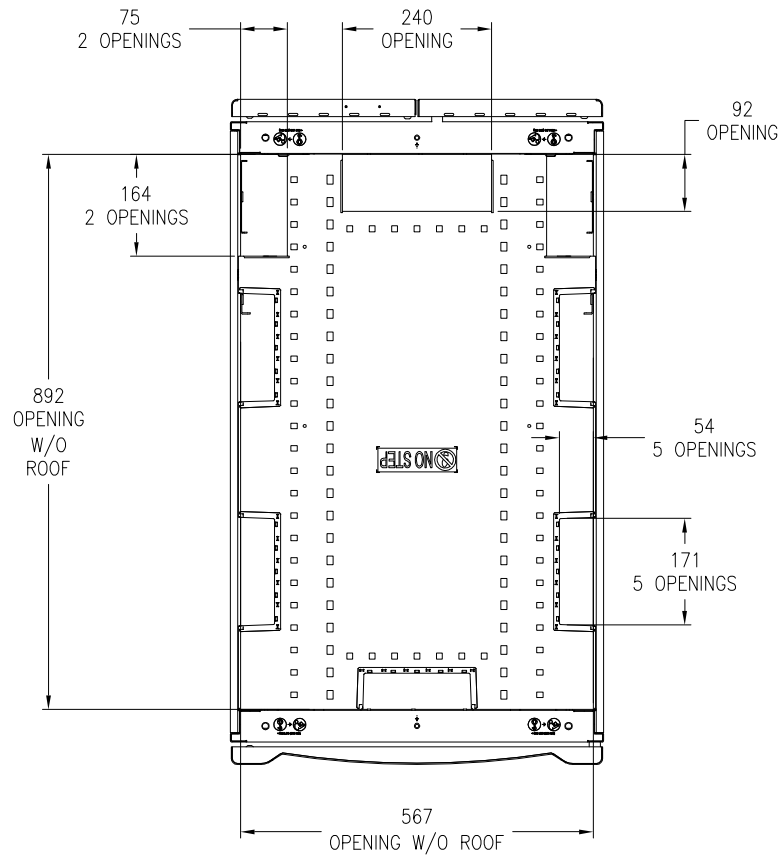
THIS DRAWING AND SPECIFICATIONS HEREIN ARE THE PROPERTY OF AMERICAN POWER CONVERSION AND SHALL NOT BE COPIED, REPRODUCED OR USED IN WHOLE OR IN PART, AS THE BASIS FOR THE MANUFACTURE OR SALE OF ITEMS WITHOUT WRITTEN PERMISSION FROM APC. THIS DRAWING IS BASED UPON LATEST AVAILABLE INFORMATION AND IS SUBJECT TO CHANGE WITHOUT NOTICE.

TITLE: NETSHELTER SX 48U ENCLOSURE
600mm W x 1070mm D
BASE UNIT
MAIN MECHANICAL
PROJECT: SUBMITTAL DRAWING SHEET 1 OF 2

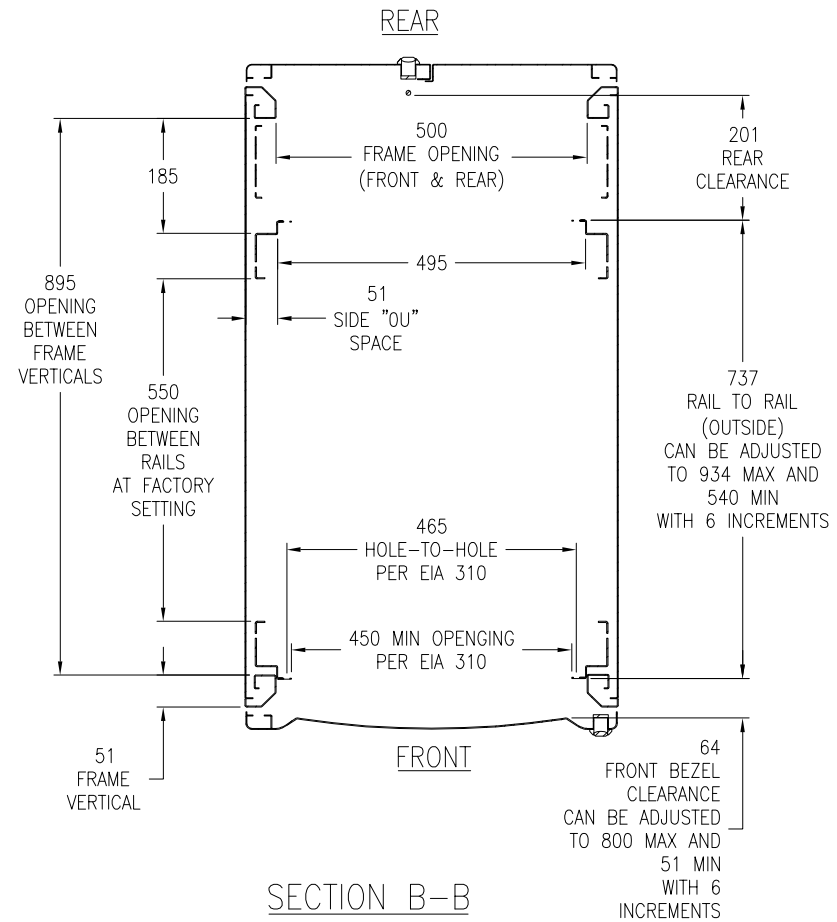
DWG NO: AR3107 - MM1
DRAWN: BALAMURUGAN 07/02/06
CHECKED: J.MATTLIN 15/03/06
ENGINEER: C.LARSEN/S.WAGH 15/03/06

REV. -
PROJECTION





TOP VIEW
CABLE OPENINGS
(COVERS REMOVED)



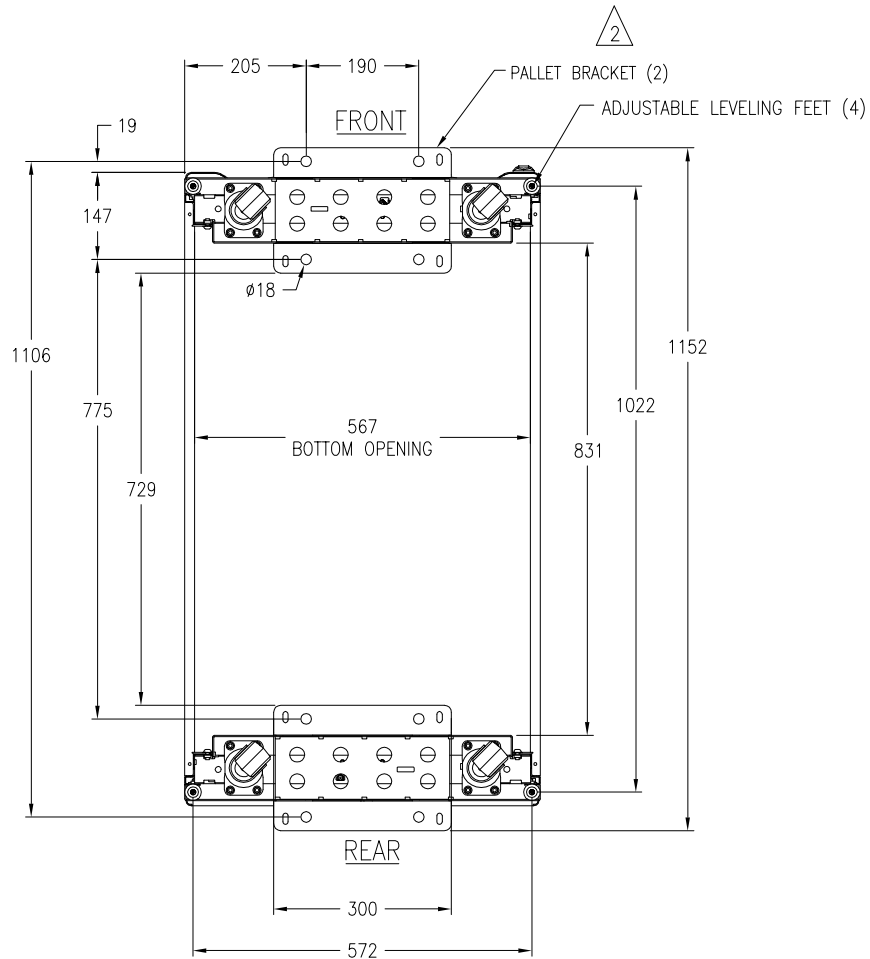
SECTION B-B
(VIEW FROM INSIDE CABINET,
LOOKING DOWN)

NOTES:

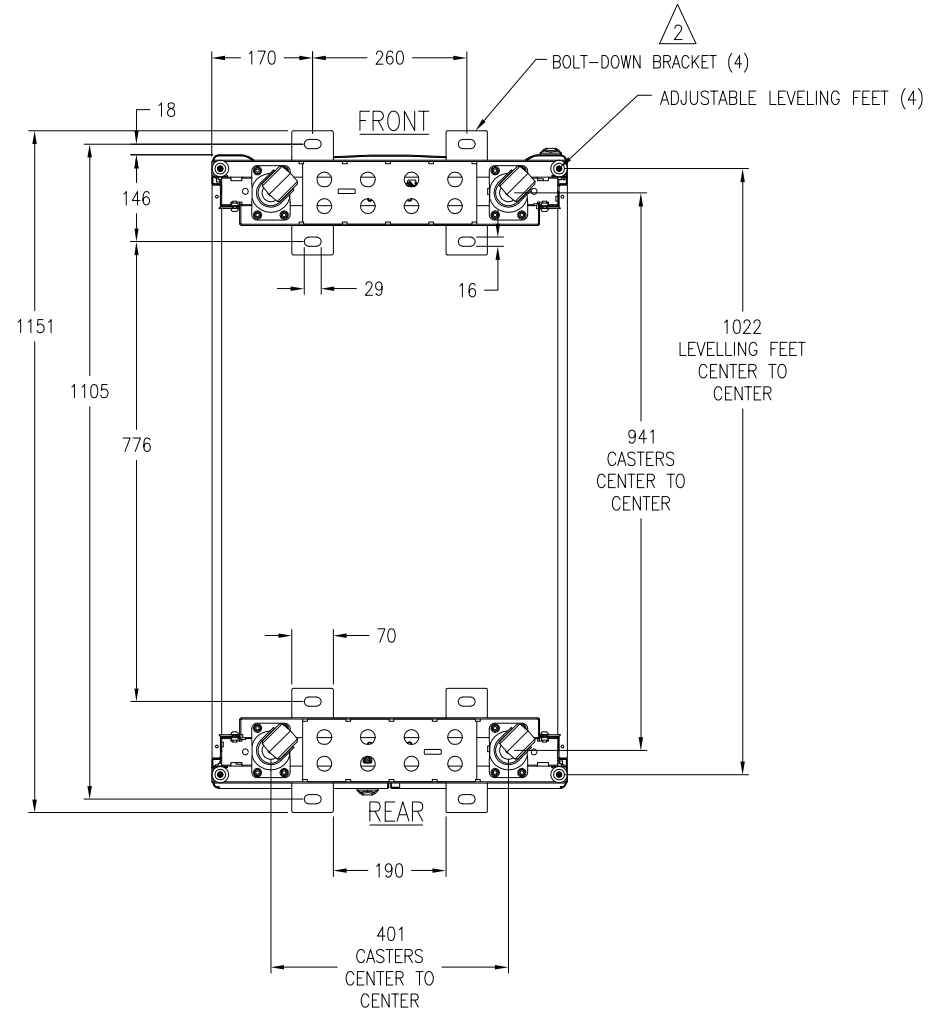
1. ALL DIMENSIONS ARE IN MILLIMETERS.
2. INSTALLATION MUST COMPLY WITH NATIONAL AND LOCAL ELECTRICAL REGULATIONS.

THIS DRAWING AND SPECIFICATIONS HEREIN ARE THE PROPERTY OF AMERICAN POWER CONVERSION AND SHALL NOT BE COPIED, REPRODUCED OR USED IN WHOLE OR IN PART, AS THE BASIS FOR THE MANUFACTURE OR SALE OF ITEMS WITHOUT WRITTEN PERMISSION FROM APC. THIS DRAWING IS BASED UPON LATEST AVAILABLE INFORMATION AND IS SUBJECT TO CHANGE WITHOUT NOTICE.		TITLE: NETSHELTER SX 48U ENCLOSURE WITH SIDES, 600mm W x 1070mm D TOP AND SECTION VIEWS		DWG NO: AR3107 -- MM2		REV. --	
PROJECT: SUBMITTAL DRAWING		SHEET 2 OF 3		ENGINEER: C.LARSEN/S.WAGH		DRAWN: BALAMURUGAN 07/02/06	
				CHECKED: J.MATTLIN 15/03/06		PROJECTION	
						15/03/06	





BOTTOM VIEW
 (WITH PALLET BRACKETS
 (CAN BE USED FOR ANCHORING))

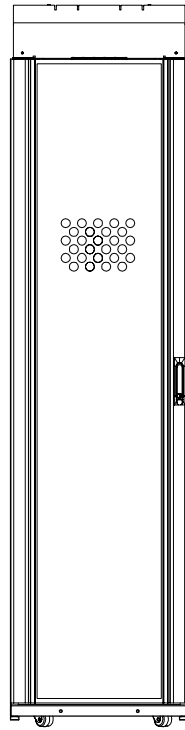


BOTTOM VIEW
 (WITH OPTIONAL BOLT-DOWN BRACKETS
 FOR ANCHORING)

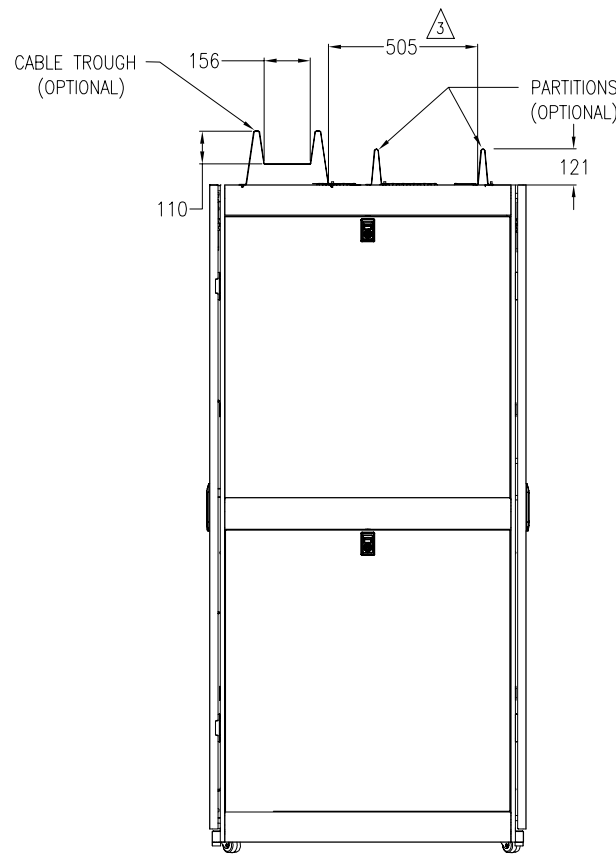
NOTES:

1. ALL DIMENSIONS ARE IN INCHES [MILLIMETERS].
- △ 2 ANCHORING BRACKETS CAN BE INSTALLED EITHER INSIDE OR OUTSIDE THE NETSHELTER.
3. INSTALLATION MUST COMPLY WITH ALL APPLICABLE NATIONAL AND LOCAL CODES.

THIS DRAWING AND SPECIFICATIONS HEREIN ARE THE PROPERTY OF AMERICAN POWER CONVERSION AND SHALL NOT BE COPIED, REPRODUCED OR USED IN WHOLE OR IN PART, AS THE BASIS FOR THE MANUFACTURE OR SALE OF ITEMS WITHOUT WRITTEN PERMISSION FROM APC. THIS DRAWING IS BASED UPON LATEST AVAILABLE INFORMATION AND IS SUBJECT TO CHANGE WITHOUT NOTICE.	TITLE: NETSHELTER SX 48U ENCLOSURE 600mm W x 1070mm D BASE UNIT BOTTOM VIEWS	DWG NO: AR3107 - MM3	REV.	 AMERICAN POWER CONVERSION 132 FABRICATIONS RD WEST KINGSTON, RI 02892
	PROJECT: SUBMITTAL DRAWING	SHEET 3 OF 3	ENGINEER: C.LARSEN/S.WAGH	



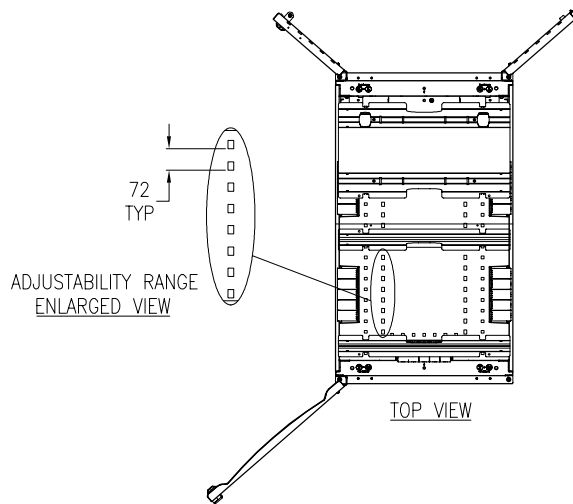
FRONT VIEW



SIDE VIEW



REAR VIEW



TOP VIEW

NOTES:

1. ALL DIMENSIONS ARE IN MILLIMETERS.
2. THIS DRAWING REPRESENTS NETSHELTER WITH OPTIONAL TROUGH AND PARTITION ACCESSORIES.
- △ 3. AVAILABLE CABLING AREA CAN BE ADJUSTED TO MEET CUSTOMERS REQUIREMENTS.
4. INSTALLATION MUST COMPLY WITH ALL APPLICABLE NATIONAL AND LOCAL CODES.

THIS DRAWING AND SPECIFICATIONS HEREIN ARE THE PROPERTY OF AMERICAN POWER CONVERSION AND SHALL NOT BE COPIED, REPRODUCED OR USED IN WHOLE OR IN PART, AS THE BASIS FOR THE MANUFACTURE OR SALE OF ITEMS WITHOUT WRITTEN PERMISSION FROM APC. THIS DRAWING IS BASED UPON LATEST AVAILABLE INFORMATION AND IS SUBJECT TO CHANGE WITHOUT NOTICE.

TITLE: NETSHELTER SX 48U ENCLOSURE
600mm W x 1070mm D
BASE UNIT
TROUGH AND PARTITION VIEWS

DWG NO: AR3107 - MM4

DRAWN: B ZAHN 03/21/06

CHECKED: J MATTLIN 03/23/06

ENGINEER: C LARSEN/S WAGH 03/23/06

REV.

PROJECTION



APC[®]

AMERICAN POWER CONVERSION
132 FAIRGROUNDS RD
WEST KINGSTON, RI 02892