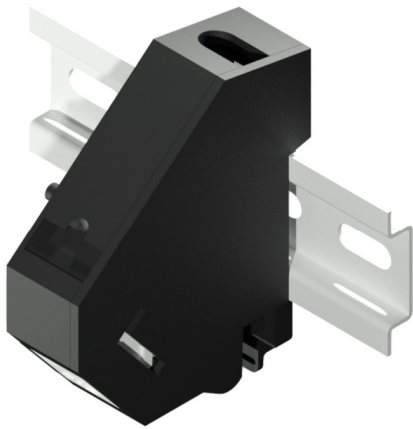


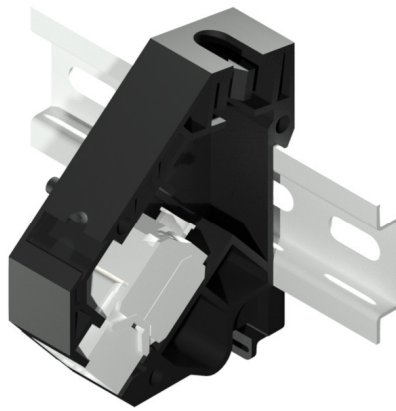
Connectix Cabling Systems™

DIN Rail Mounted Keystone Outlet Modules

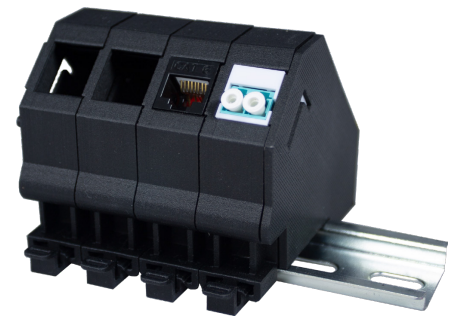
These modules can be configured to suit Cat5e, Cat6, Cat6A and LC Duplex and SC Simplex networks, using a keystone adapter. Connectix Din Rail mounted keystone outlet modules are printed on our in house 3D printers using ONYX carbon filled plastic. This gives the modules a Matt Black finish. Each outlet module measures at 18 x 80 x 65 mm (WxHxD). The modules are designed to be ganged together on a Din Rail and have an end cap to finish the row.



Digital image example



Digital image example



Product Specifications	
Width	18 mm
Height	65 mm
Depth	80 mm
Material	ONYX carbon filled plastic

Ordering Information	
Product Description	Part Number
DIN Rail Mounted Keystone Module End Cap	008-015-000-00
DIN Rail Mounted Keystone Module	008-015-000-10