



MDU - S3

Splice Only/Connectorised

Application Information

The HellermannTyton S3 Series of wall mountable enclosures are suitable for both internal and external applications and have been developed for use within the last mile of the FTtx network.

The enclosure has been designed to accommodate the HellermannTyton IR Fibre Management System and offers the adaptability of point to Multi Point (P2MP) or Point to Point (P2P) configuration.

The enclosure can be supplied in a splice only configuration or as a connectorised version with 24 LC duplex or 12 SC simplex connections.

Product Description

The enclosure is configured with the HellermannTyton Angled IR Fibre Management System which has provision for storing 3 off tray splitters and can accommodate a maximum of 4 SE-IR or 8 SC-B IR trays giving a maximum of 96 3A fibre splices.

An adaptor connection plate can be fitted which will hold a maximum of 6 LC duplex (or 6 SC simplex) adaptors to provide a maximum 12 customer connection points.

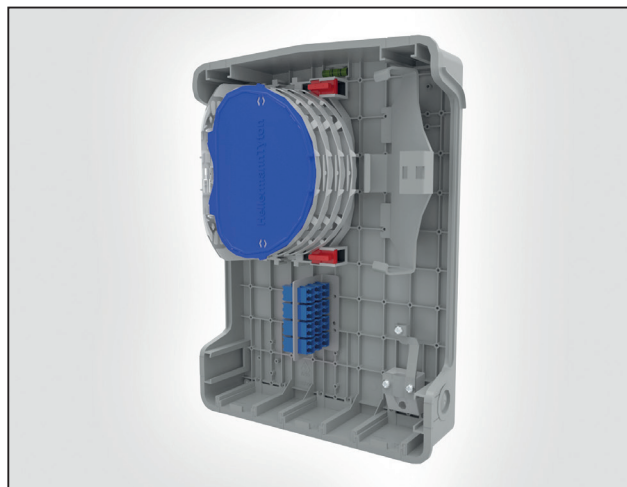
The enclosure is 340 x 247 x 76mm (H x W x D) and manufactured in light grey (RAL 7035), UV stable ABS (Acrylonitrile Butadiene Styrene) and has an IP54, IK08 and V0 rating.

Designed with 7 input/output ports, 3 across the bottom, 2 on the top and 1 on each side, each port will accommodate a 20mm cable gland.

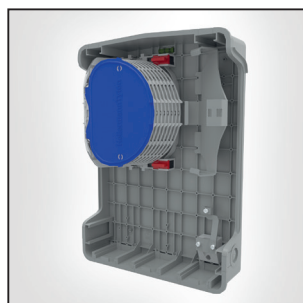
A 100 x 25mm inset position on the front cover allows for a customer logo to be moulded in to the enclosure and a lock can be fitted if required.

Features and Benefits:

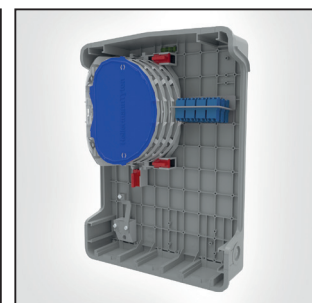
- Maximum 96 Fibre Splices
- IR Angled Fibre Management System with provision for 3 PLC Splitters
- 4 SE or 8 SC-B IR Trays with 3A Splice Bridges
- 7 Input/Output Positions
- In-built spirit level
- IP54/IK08
- UV Stable
- V0 Rating



MDU - S3 with 250µm connectorised with 24 LC DX connections and basket.



250µm splice only.



250µm connectorised with 24 LC DX.



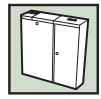
External view.



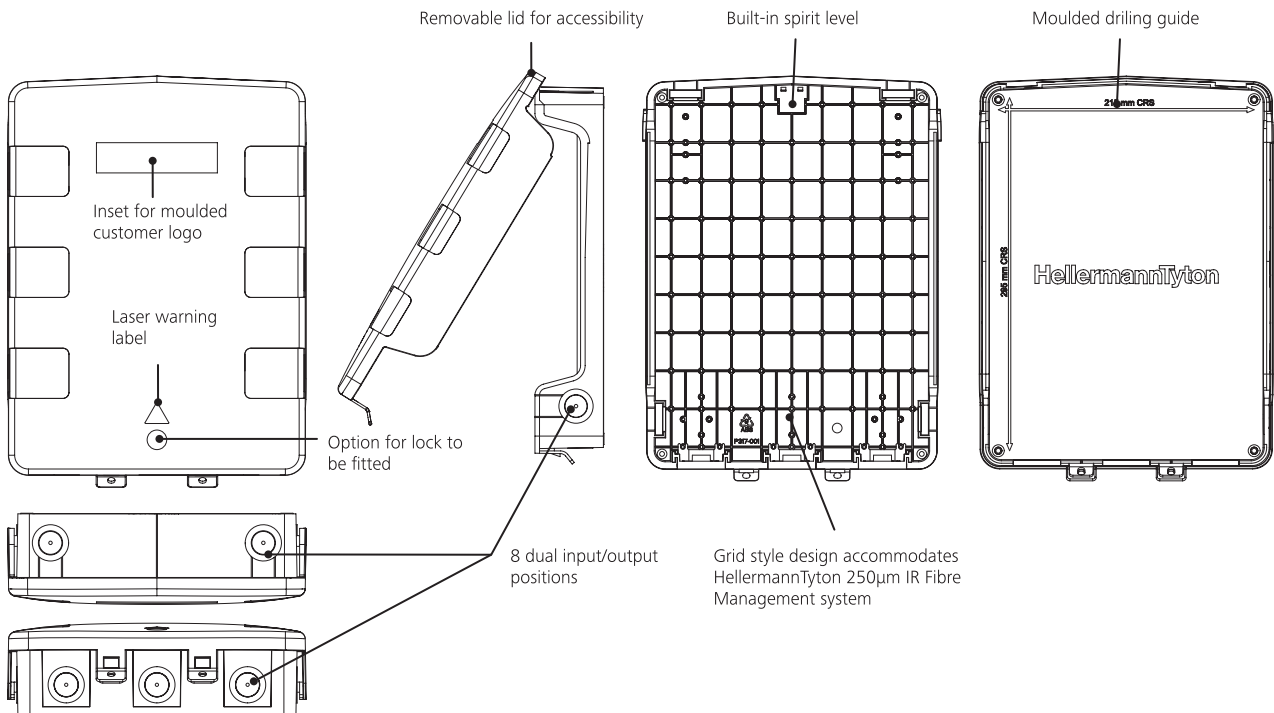
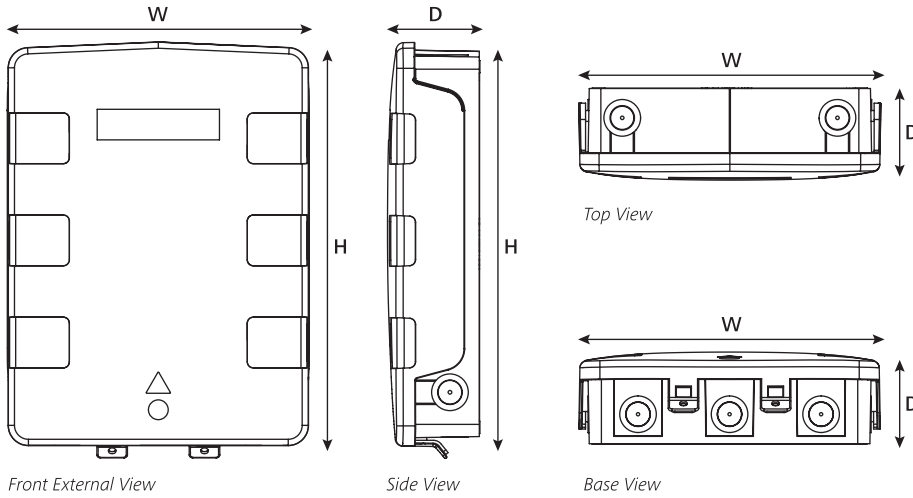
Internal view.

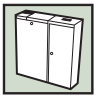
Technical Data

Dimensions (mm)	H	W	D
	340	247	76
Enclosure type	250µm Splice Only		250µm Connectorised
Splice	Yes		
Tray Quantity / Type	8 SC-B-IR / 4 SE-IR		
Number and type of connectors	N/A		12 SC / 24 LC
IP Rating	IP54		
Mechanical IK protection	IK08		



Technical Diagrams





MDU - S3 Mechanical Seals

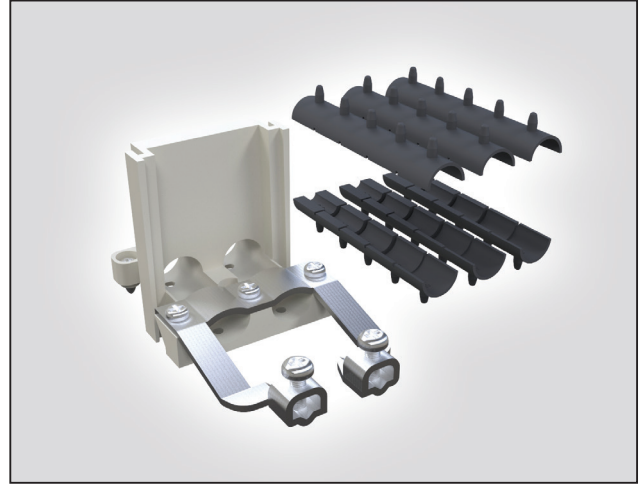
Fibre Optic Enclosures Accesories

Product Description

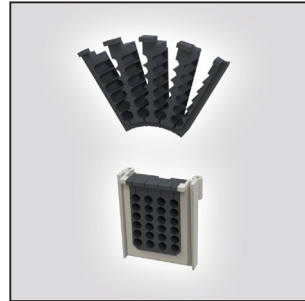
Two seals for the MDU-S3 to provide management for loop through applications and drop cable management.

Features and Benefits:

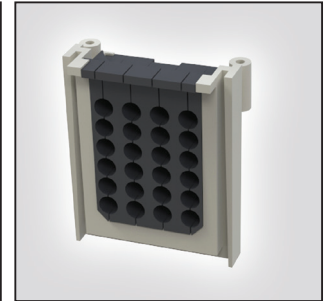
- Loop through seal for cable from 3.0mm to 14.0mm.
- Single seal to manage 24x5mm drops.
- Quick and simple to fit.



MDU - S3 Loop Through Seal.



MDU - S3 Drop Seal.



MDU - S3 Drop Seal (detail).